

MEG 14-40 B Gooseneck Microphone

FEATURES

- Gooseneck with integrated Sennheiser KE 10 microphone capsule
- RF shielding against intermodulation from wireless equipment/devices
- Streamlined design for seamless integration
- Premium quality made in Germany

The **MEG 14-40** features a made in Germany quality gooseneck microphone on an attractive price. It features an integrated Sennheiser KE 10 microphone capsule with cardioid directivity for universal miking and a streamlined 40 cm gooseneck with a XLR 3M connector. The flexible element ensures precise alignment of the microphone.



ARCHITECT'S SPECIFICATIONS

The microphone shall be a pre-polarized condenser designed for permanent installation or portable applications. It shall have a Sennheiser KE 10 microphone capsule with a cardioid polar pattern with uniform 120° angle of acceptance (-3dB). It shall have a frequency response of 50 Hz to 20,000 Hz and be capable of handling sound input levels up to 130 dB_{spl}. Nominal equivalent noise level shall be 26 dBA (37 dB weighted as per CCIR 468-3). Output shall be low impedance balanced (<100 ohms). Operating temperature shall be 32° – 104° F (0° – 40° C). The microphone shall operate from an external 12V to 48V DC phantom power source; current consumption shall be 3 mA. The microphone shall offer radio frequency interference (RFI) shielding against intermodulation from wireless equipment or devices. The microphone shall be a gooseneck design ensuring precise alignment of the microphone and noiseless operation. It shall incorporate a self-contained power module with an XLR3M-type connector at the base. For mounting and portable applications, optional shockmount, install socket and XLR3 tablestands shall be provided.

TECHNICAL DATA

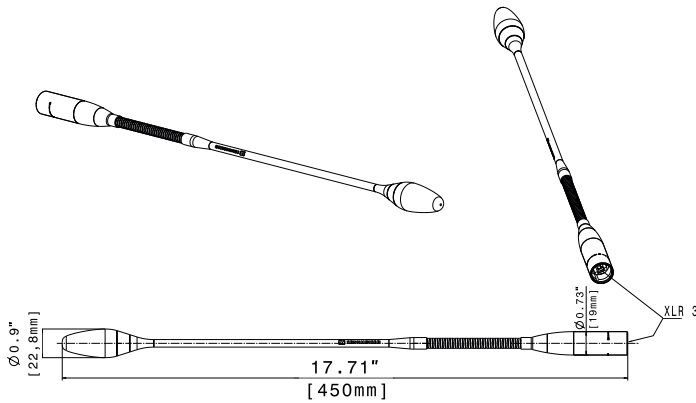
Transducer principle	pre-polarised condenser microphone
Acoustics	cardioid
Frequency response	50 Hz - 20 kHz
Nominal impedance	< 100 Ohm
Maximum sound pressure level	130 dB SPL
Equivalent noise level	26 dB (A)
Equivalent noise level weighted as per CCIR 468-3	37 dB
Phantom powering	P12 - P48 V
Current consumption microphone	3 mA
Connectivity	XLR 3M
Weight	147 g (4,72 oz)
Length	450 mm (17,72")
Diameter	8 mm (0,31")
Operating temperature	0 ...+40°C
Coating	matte black
Delivery includes	MEG 14-40 B

ARCHITECT'S SPECIFICATIONS

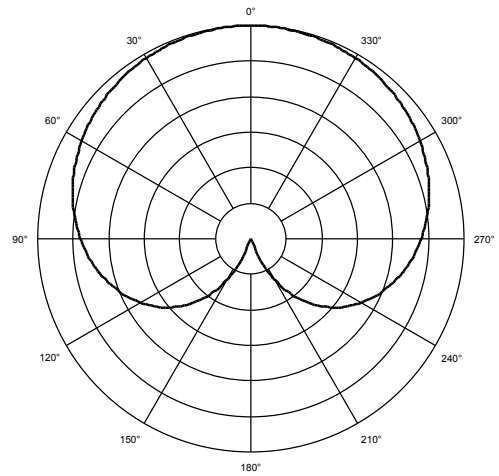
The microphone shall be a small-diameter gooseneck design with a diameter of 0.31" (8 mm) and an overall length of 17.71" (450 mm). Head diameter shall be 0.9" (22.8 mm). The microphone weight shall be 4.72 oz (147 grams). Finish shall be matte black. The Sennheiser MEG 14-40 B is specified.

MEG 14-40 B Gooseneck Microphone

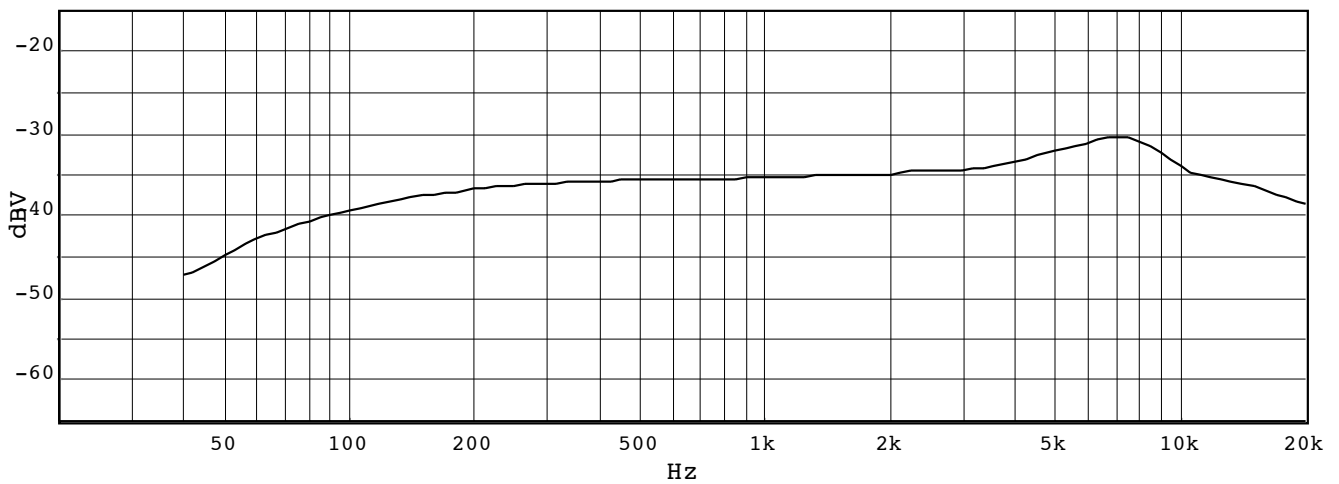
DIMENSIONS



POLAR PATTERN



FREQUENCY RESPONSE



PRODUCT VARIANTS

MEG 14-40 B Cat. No. 504791
 MEG 14-40-L B Cat. No. 504792

RECOMMENDED ACCESSORIES

MZS 31, Shockmount Cat. No. 005087
 MZT 30, XLR3 install socket Cat. No. 005085
 MZTX 31, XLR3 tablestand Cat. No. 500455
 MZTX 31 PTT, XLR3 tablestand Cat. No. 500457

Sennheiser electronic GmbH & Co. KG
 Am Labor 1, 30900 Wedemark, Germany
www.sennheiser.com

 **SENNHEISER**